

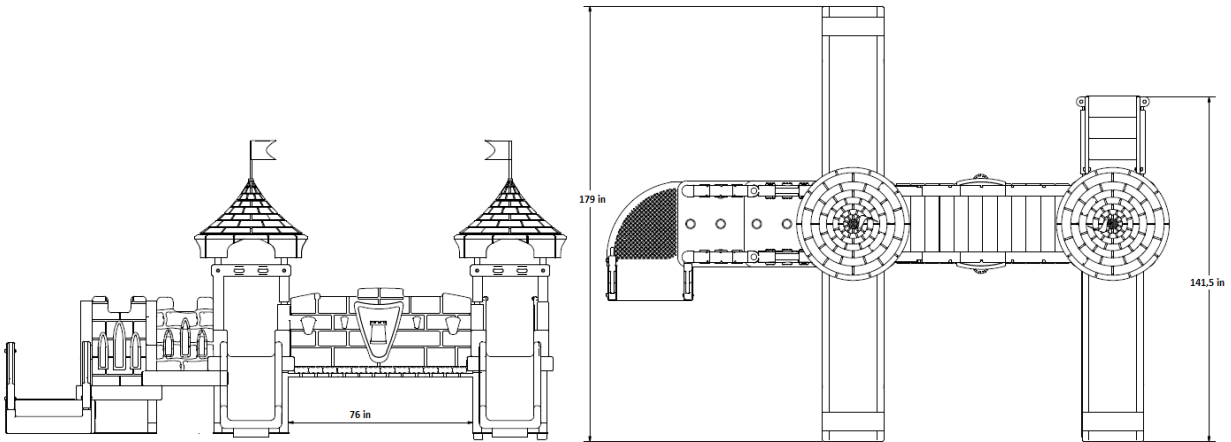


AFACAN CASTLE 2-T

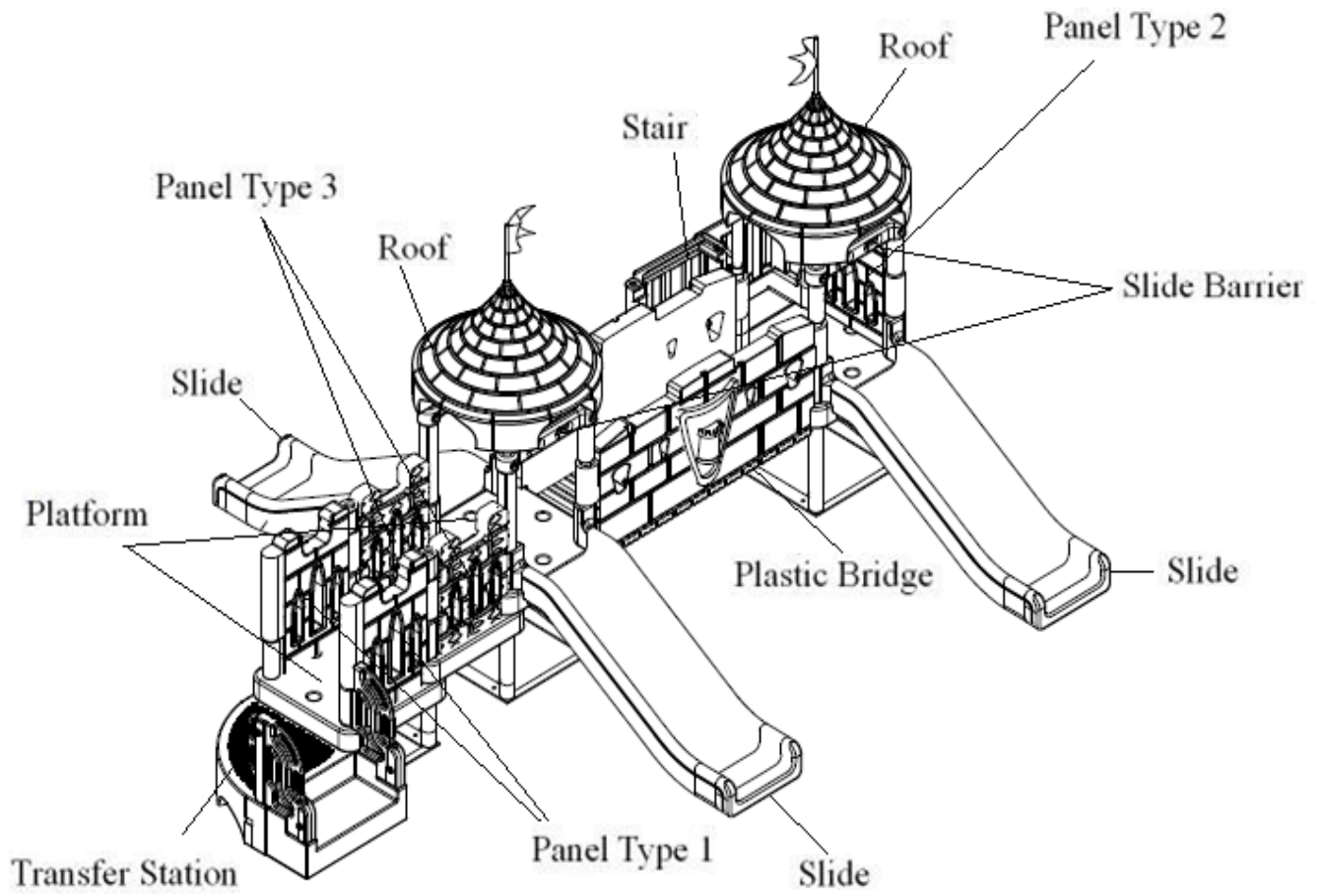
PLEASE RETAIN THIS INSTRUCTION SHEET IN YOUR FILES. IT CONTAINS IMPORTANT REPLACEMENT PARTS INFORMATION. ALL EQUIPMENT SHOULD BE INSTALLED IN ACCORDANCE WITH THESE INSTRUCTIONS.

IT IS IMPORTANT TO USE AND MAINTAIN ALL PLAY EQUIPMENT PROPERLY. IMPROPERLY MAINTAINED PLAY EQUIPMENT CAN CAUSE SERIOUS INJURY. PERIODIC INSPECTIONS, MAINTENANCE, REPAIR AND/OR REPLACEMENT OF DAMAGED PARTS IS NECESSARY FOR SAFE OPERATION OF EQUIPMENT AND SAFETY OF USERS.

RESILIENT SURFACING SHOULD BE USED UNDER ALL PLAYGROUND EQUIPMENT. THE SUGGESTED USE AREA IS TO BE COVERED BY THESE MATERIALS OUTLINED ON THE PLAN VIEW. NO OTHER PIECE OF EQUIPMENT OR ITS USE AREA MAY ENCROACH ON THIS USE AREA



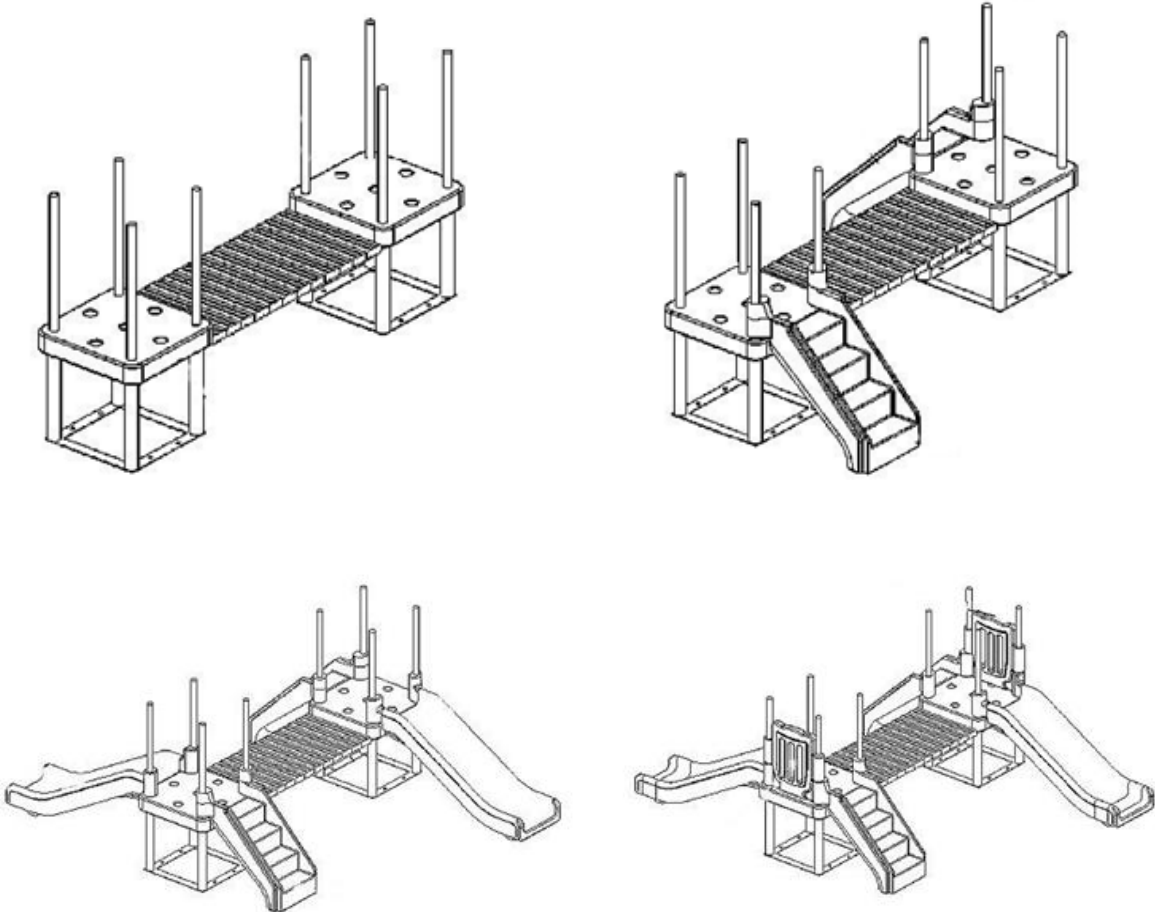
| PACKING LIST | |
|--------------------------|---------------------------------|
| QTY | DESCRIPTION |
| 3 | MAIN FREMA |
| 4 | DECKS |
| 1 | TRANSFER STATION |
| 1 | STAIRS |
| 2 | HANDRAIL FOR STEPS |
| 3 | SLIDES |
| 3 | SLIDE GUARD |
| 2 | ROOF |
| 12 | BRIDGE SEGMENT |
| 2 | SRIDGE HANDRAILS |
| 2 | BRIDGE SUPPORT RAILS |
| 2 | PANEL 1 |
| 1 | PANEL2 |
| 2 | PANEL 3 |
| 1 | HADRWARE BAG, 1-EXTENSION PIECE |
| TOTAL: 43 PIECES | |
| SHIPPING WEIGHT: 1149 Lb | |
| ASSEMBLD WEIGHT: 1039Lb | |
| CLASS 70 | |



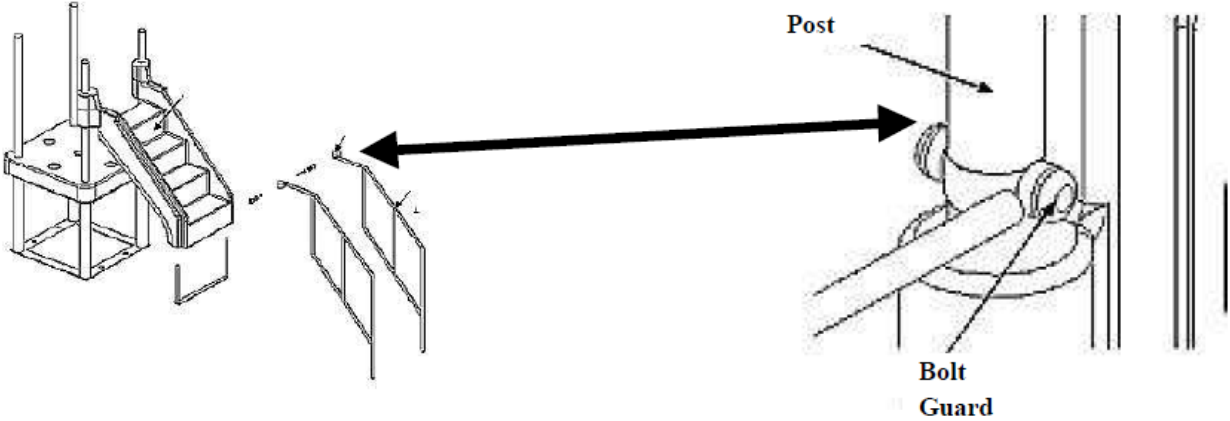
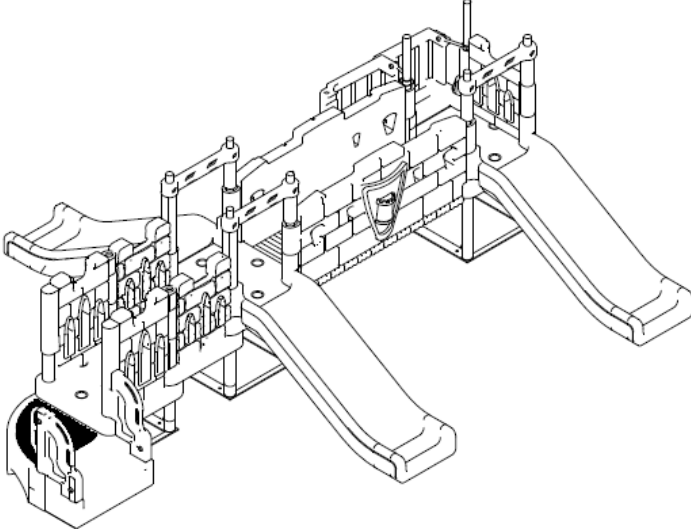
Set up main frames so that the longer posts face inwards. Slide the bridge support pipes through the twelve plastic bridge segments and insert bridge supports into pre-drilled holes in the main frames.

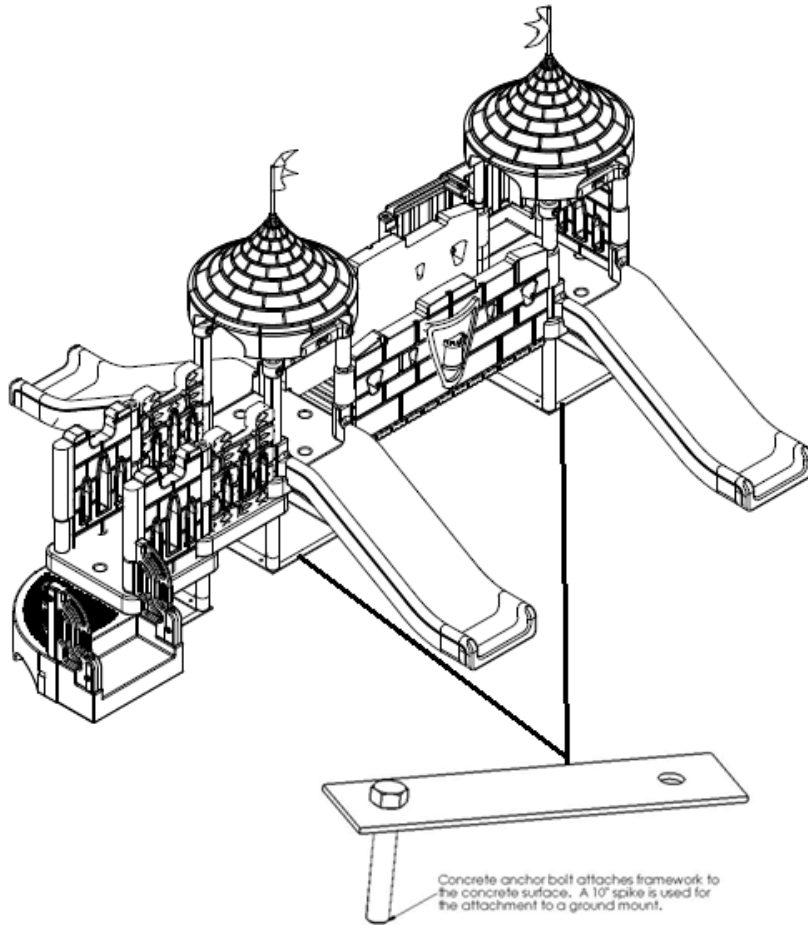


Stack the components over the posts as shown below.



Place all the panels over the posts including the castle bridge walls and handrail of stairs and drill a Ø0,46in hole through post where stair handrail will attach. Attach stair handrails with hardware provided.





Concrete anchor bolt attaches framework to the concrete surface. A 10' spike is used for the attachment to a ground mount.

Secure structure to solid surface using anchor bolts, or secure structure to ground using 0,47 x 0,98in spikes. (Not provided)